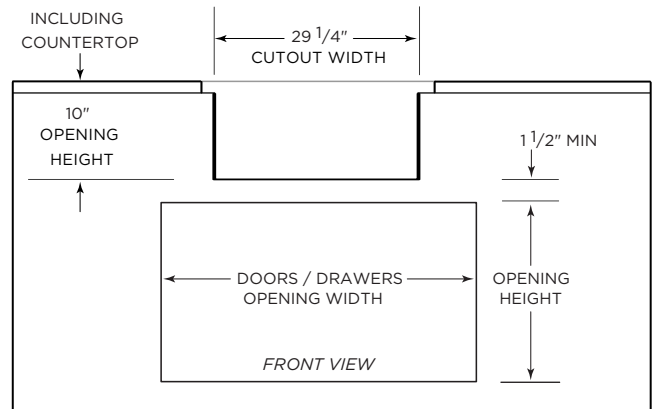
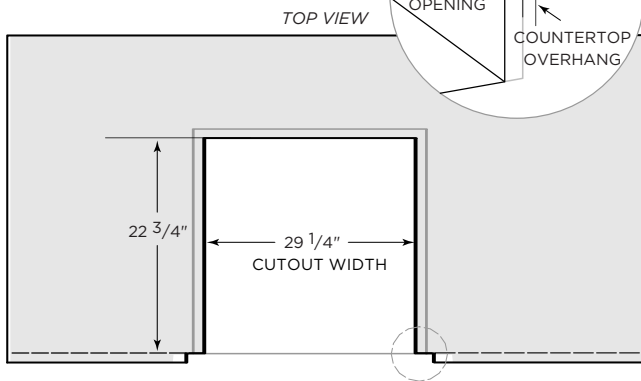
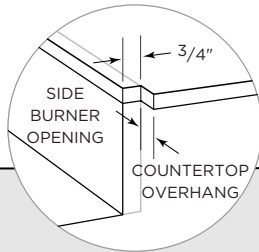
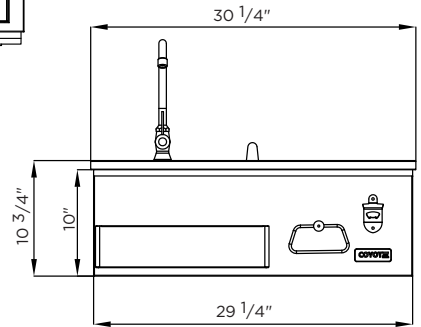
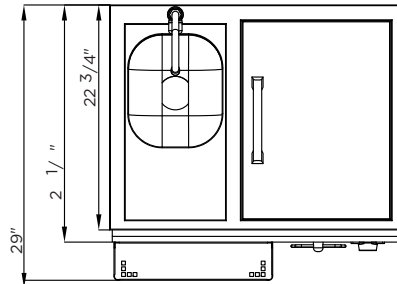
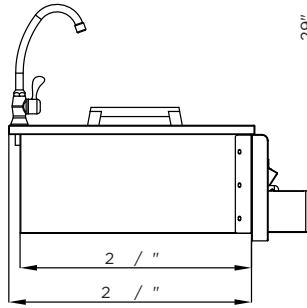
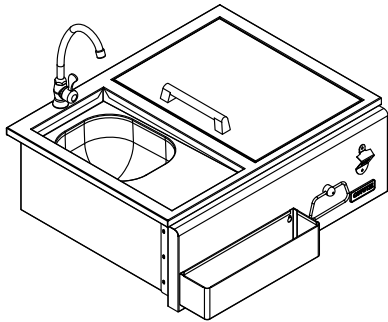


CRC INSTALL GUIDE

DIMENSIONAL RENDERINGS



Overall Product Dimensions			
Model No.	Height	Width	Depth
CRC	10 3/4"	30 1/4"	29"

Cutout Dimensions for Island			
Model No.	Height	Width	Depth
CRC	10"	29 1/4"	22 3/4"

Install Notes:

- ✓ The CRC contains a drop-in-cooler that is located in the bottom middle of the cooler, that has a 5/8" ID and a 3/4" OD that you can connect a drain hose to.
 - If your cabinet/island contains a french drain (or other feature for allowing water to escape), then you can also allow the CDIC to drain into (or through) your island. Depending on your building material, this may or may not be an option.
 - A drain plug is also included with the cabinet to keep any ice or water from leaking when in use
 - When the CRC is located in an area with humidity and ice is placed inside, the cooler can "sweat" on the exterior of the box. Be aware that even with the drain in, this sweat could drop into your cabinet.
- ✓ CRC also contains a sink that comes with a standard drain, p-trap and single supply faucet

Important Note to Installer: This file is not intended to replace your Owners' Manual which contains specific safety requirements and consumer guidelines. Please refer to your Owners' Manual prior to installing or operating your built-in side burner.